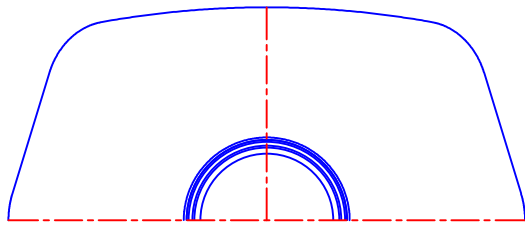
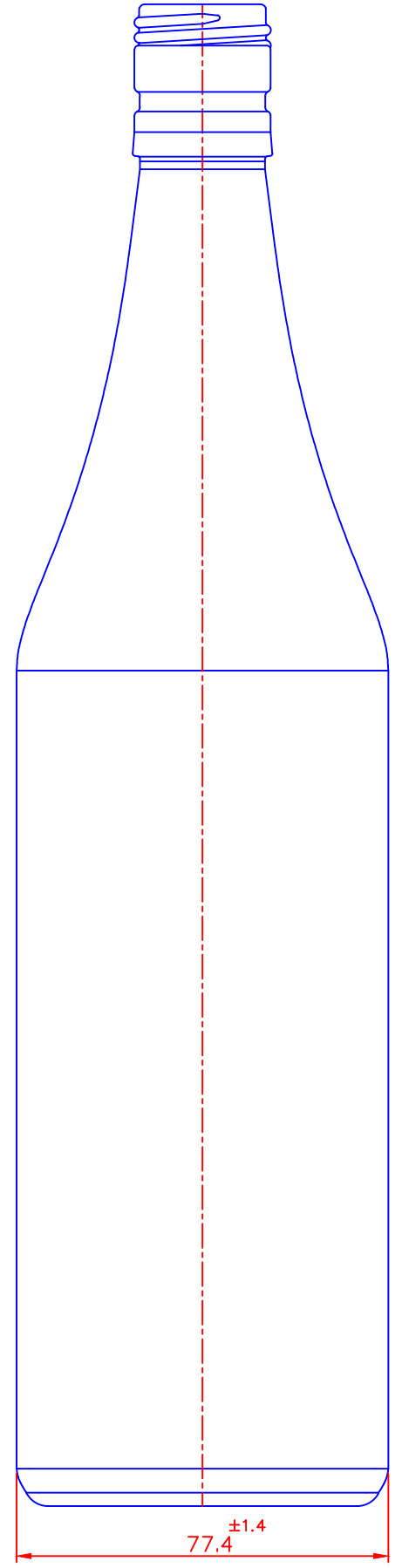
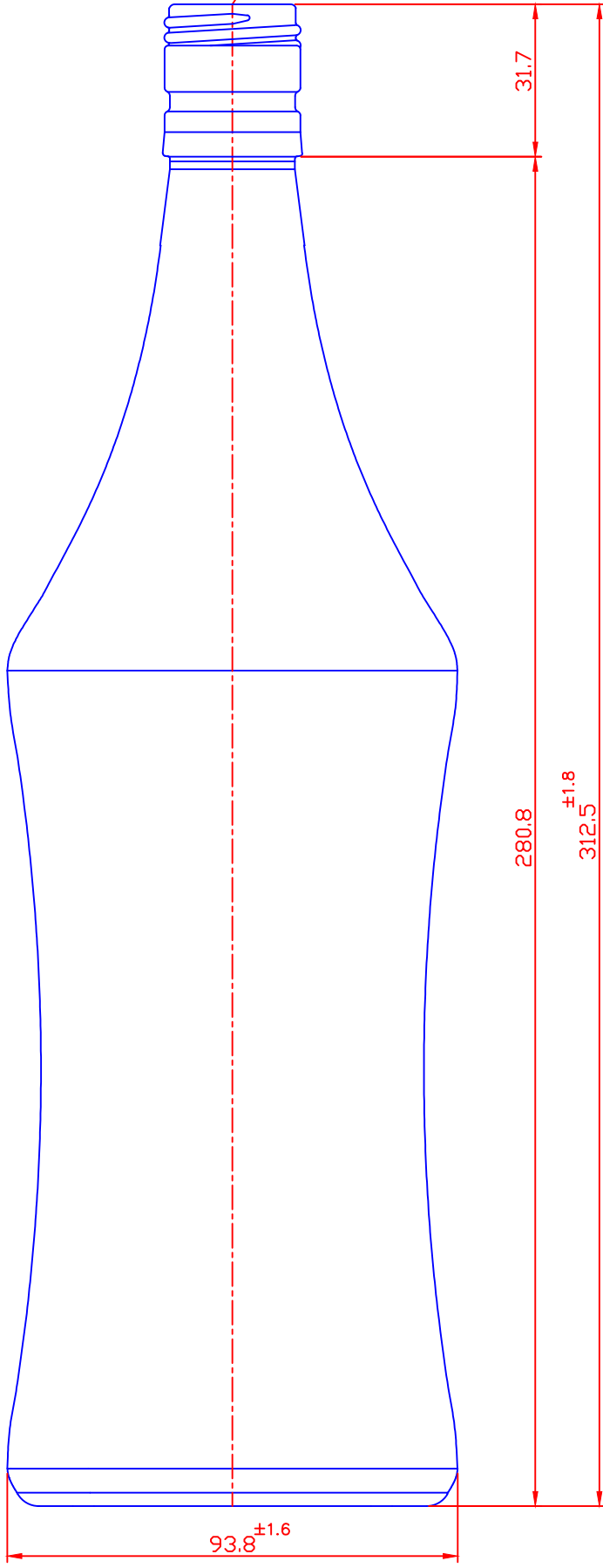


30mm. C.Y. P.P.
TS 3258/2



111 4 11 1000

Tarih/Date:
Onay/Customer Approval:

REV NO	AÇIKLAMALAR-EXPLANATIONS	TARİH DATE	YAPAN MADE BY	KONTROL CH'K'D BY
	ÇİZEN-DRAWN BY CEM AYDEMİR		DOLU HACMI FILLING CAP. cc.	1000 ±10
	KONTROL-CH'K'D BY EMRAH OKTAYKAN		SİLME HACMI BRIMFULL CAP. cc.	1030 ±10
	TARİH-DATE 26.11.2010		AGIRLIK-WEIGHT gr.	~560
ÖLÇEK SCALE: 1/1	IS	KALIP NO-MOULD NO: 01M1282-01		ÜRÜN NO-PRODUCT NO: 111 4 11 1000

ALTI KÖŞE ŞİŞE