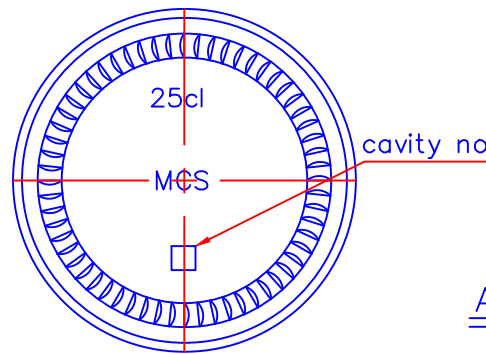
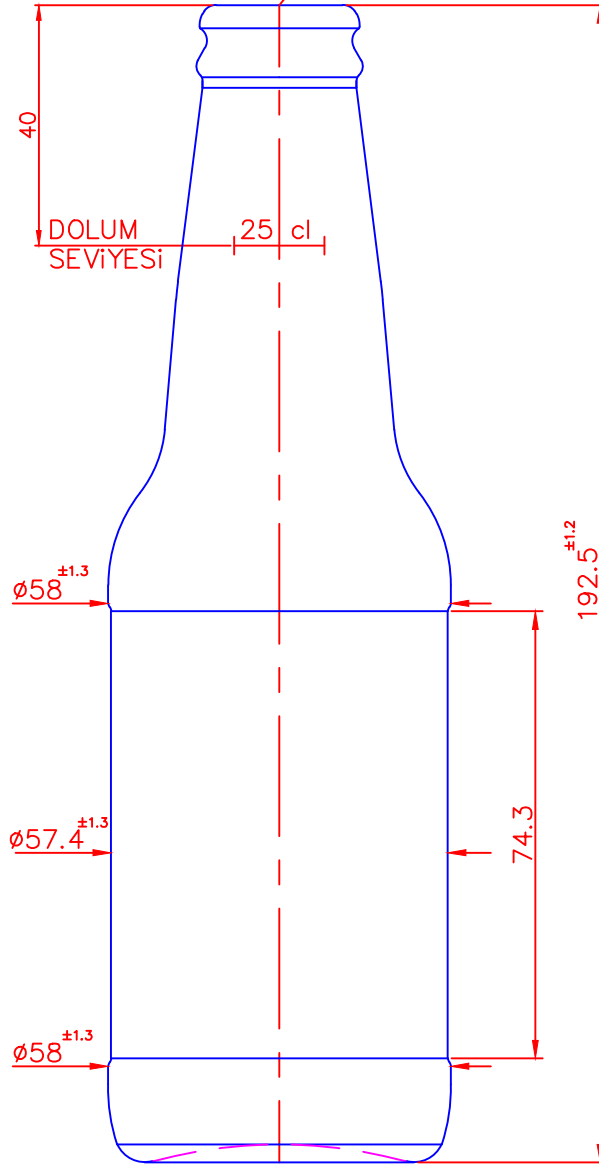



DIN 6094-1-A1-26

ALTTAN BAKIS

Onay/Customer Approval:

Tarih/Date:

111 3 01 0250

REV : 1				
REV NO	AÇIKLAMALAR-EXPLANATIONS	TARİH DATE	YAPAN MADE BY	KONTROL CH'K'D BY
 Marmara Cam Sanayi A.Ş.	ÇİZEN-DRAWN BY	CANER ÇAKIR	DOLUM HACMİ FILLING CAP.	cc. 250 ±5
	KONTROL-CH'K'D BY	SABAN KARAKOÇ	SİLME HACMİ BRIMFULL CAP.	cc. 265 ±5
	TARİH-DATE	12.05.2015	AGIRLIK-WEIGHT	gr. ~200
ÖLÇEK: SCALE:	1/1	ÜRÜN NO:-PRODUCT NO: 01M468-04		C.K. (TEORİK) - W.T. (THEORETICAL) ---
BRA TIPI TAC KAFA SİSE				