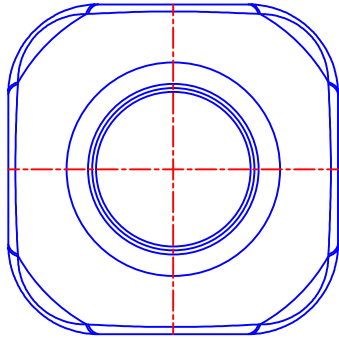
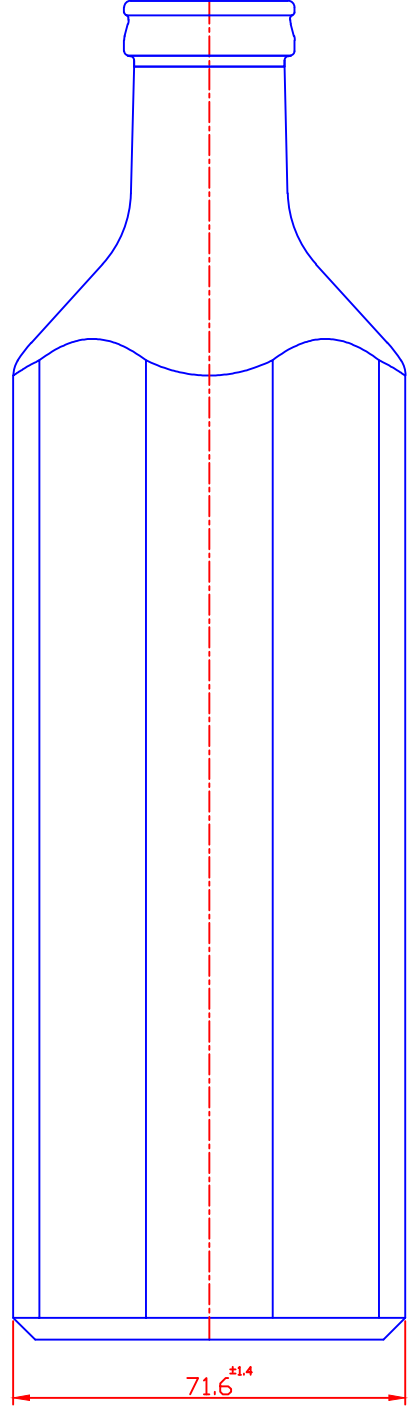
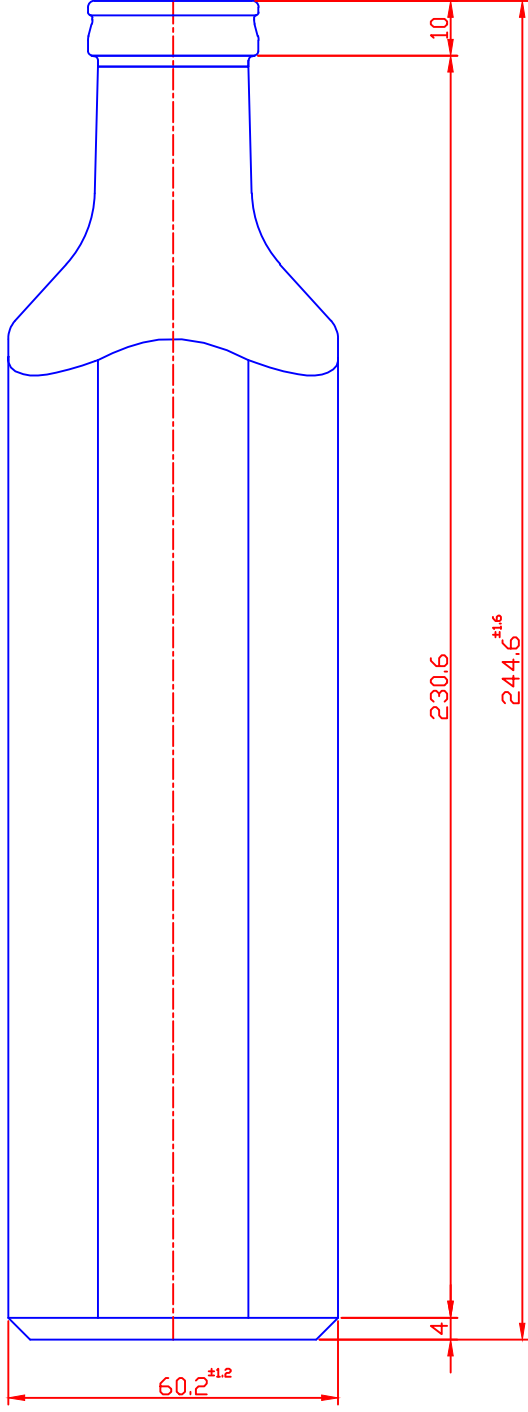


STD 29/21-7740  
BERICAP FRANCE



Onay/Customer Approval:

Tarih/Date:

111 2 04 0500

REV NO	AÇIKLAMALAR-EXPLANATIONS	TARİH DATE	YAPAN MADE BY	KONTROL ÖZKTD BY
--------	--------------------------	------------	---------------	------------------



ÇİZİM-DRAWING BY	CEM AYDEMİR	DOLUMLU HACİM	cc.	500 <sup>±8</sup>
KONTROL-CHK'D BY	EMRAH OKTAYKAN	SİLİNE HAZIR	cc.	520 <sup>±8</sup>
TARİH-DATE	26.11.2010	BRÜNFİLLİ ÇİP	cc.	~400
		KAPAK AĞIRLIĞI	gr.	

ÖLÇEK SCALE	1/1	S	GEÇME KAFA VIDALI(MARASKA)	KAPAK NO.-HOLD NO.	01M260-01	ÜRÜN NO.-PRODUCT NO.	111 2 04 0500
-------------	-----	---	----------------------------	--------------------	-----------	----------------------	---------------