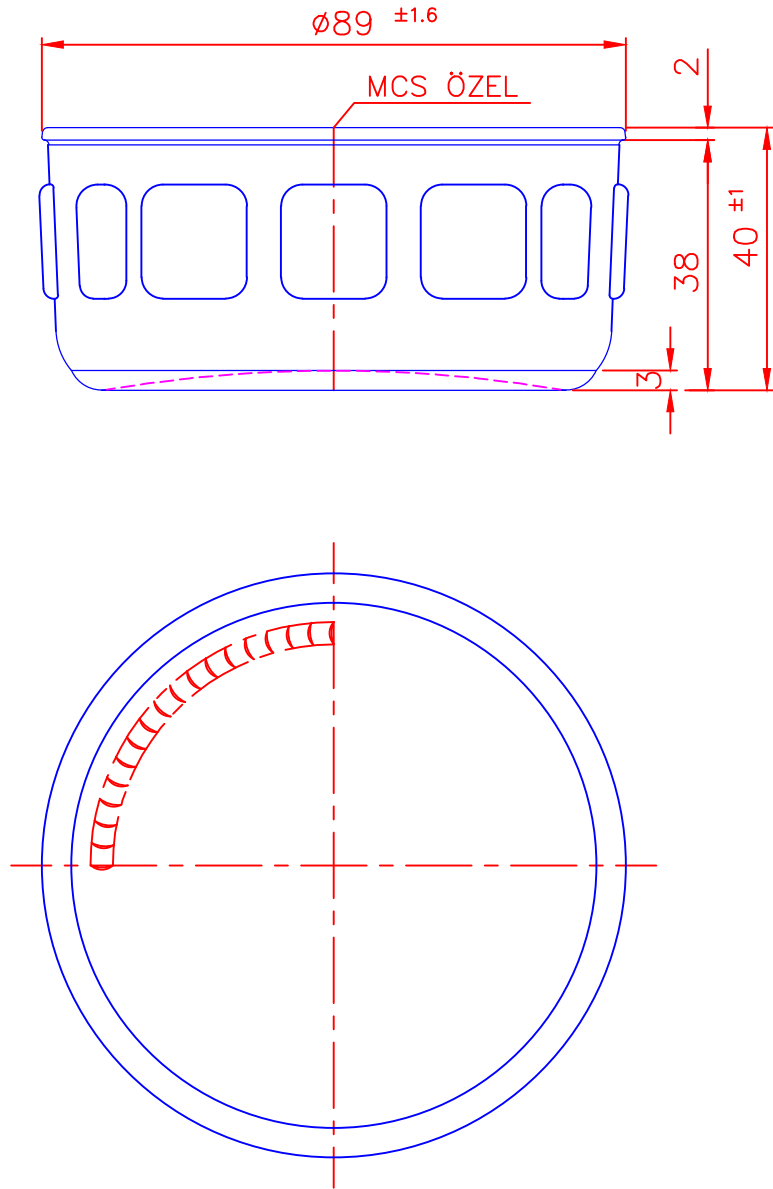


Onay/Customer Approval:

Tarih/Date:



111 1 12 0200

REV NO	AÇIKLAMALAR-EXPLANATIONS	TARİH DATE	YAPAN MADE BY	KONTROL CH'K'D BY
	 Marmara Cam Sanayi A.Ş.	ÇİZEN-DRAWN BY Bülent <i>Bülent</i>	DOLUM HACMI FILING CAP. cc.	200 ±4
		KONTROL-CH'K'D BY EMRAH OKTAYKAN	SİLME HACMI BRIMFULL CAP. cc.	200 ±4
		TARİH-DATE 18.02.2012	AGIRLIK-WEIGHT gr.	~140
ÖLÇEK: SCALE: 1/1	IS	DAMALI SAKLAMA KABI		KALIP NO:-MOULD NO: ÜRÜN NO:-PRODUCT NO: 01M1326 111 1 01 0200