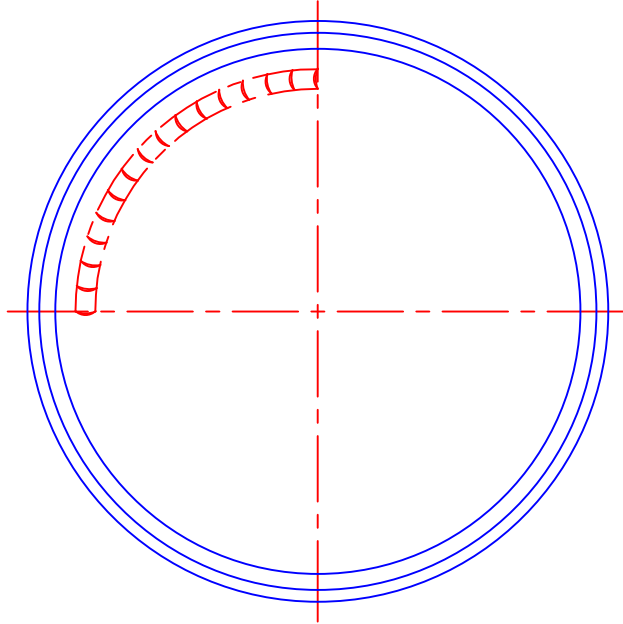
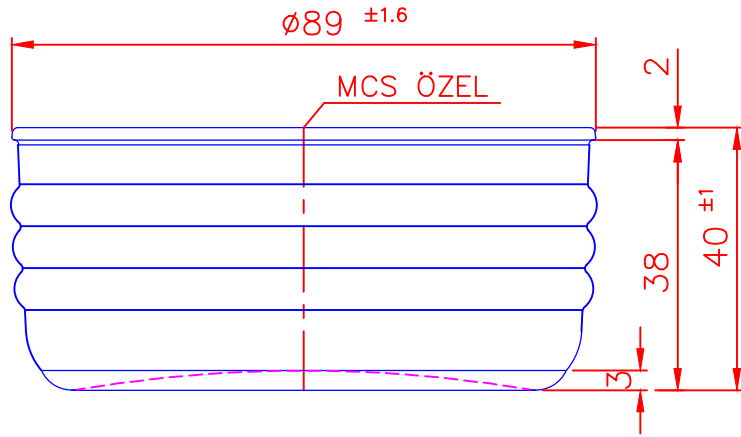




Onay/Customer Approval:

Tarih/Date:



111 1 11 0200

REV NO	AÇIKLAMALAR-EXPLANATIONS	TARİH DATE	YAPAN MADE BY	KONTROL CHK'D BY
	 Marmara Cam Sanayi A.Ş.	ÇİZEN-DRAWN BY Bülent 	DOLUM HACMI FILING CAP. cc.	200 ±4
		KONTROL-CHK'D BY EMRAH OKTAYKAN	SİLME HACMI BRIMFULL CAP. cc.	200 ±4
		TARİH-DATE 17.04.2012	AGIRLIK-WEIGHT gr.	~140
ÖLÇEK: SCALE: 1/1	IS HELEZON SAKLAMA KABI	KALIP NO:-MOULD NO: 01M1366	ÜRÜN NO:-PRODUCT NO: 111 1 11 0200	